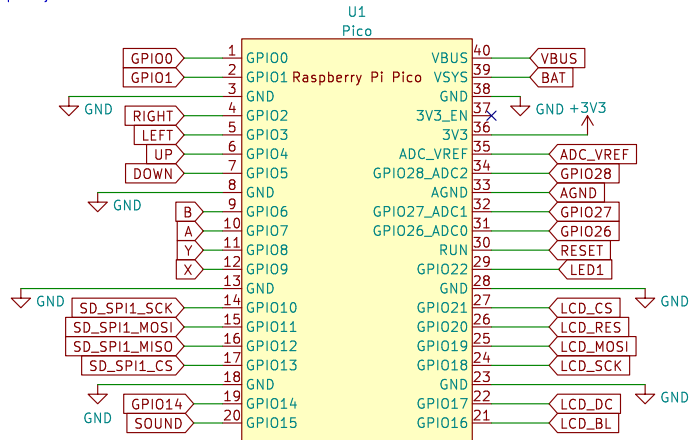
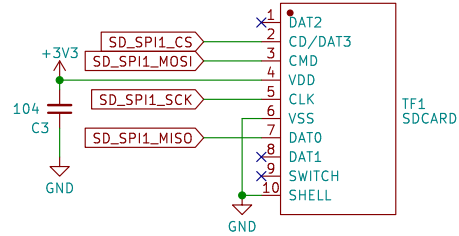


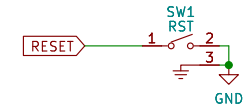
Raspberry Pi Pico



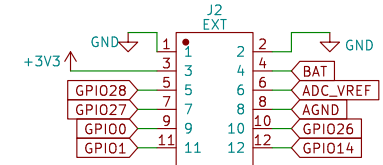
MicroSD card reader



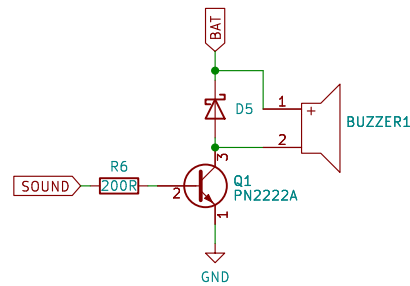
Reset button



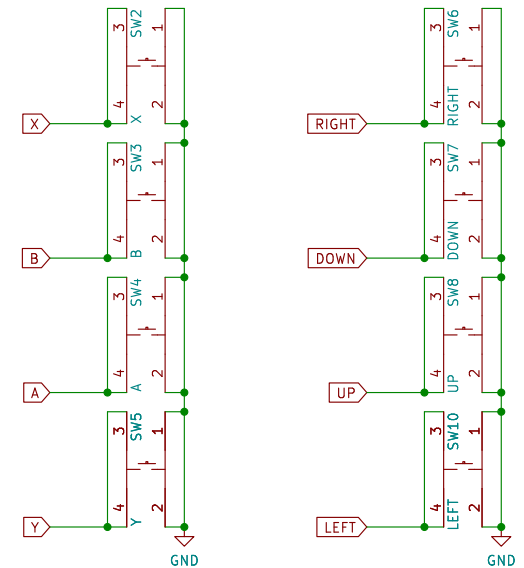
External connector



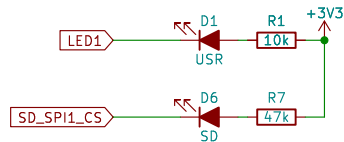
Speaker



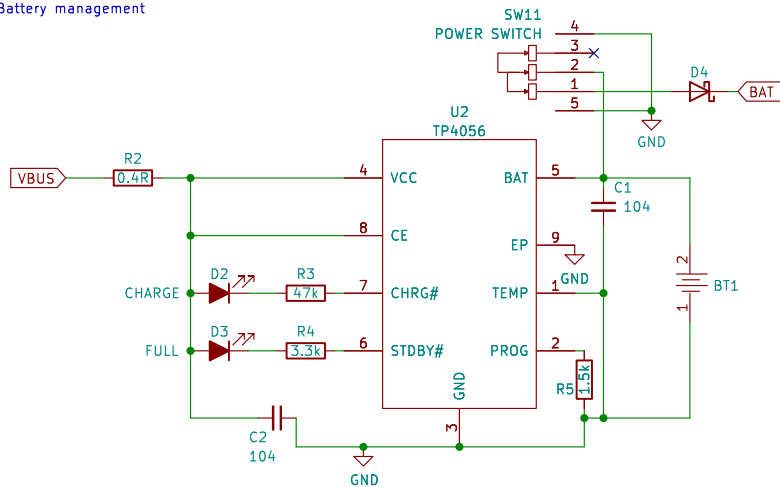
Control buttons



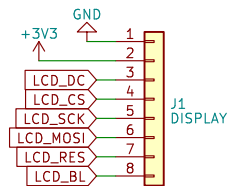
LED



Battery management



Display connector



Pájeničko s.r.o.
www.pajenicko.cz
www.picopad.eu

Sheet: /
File: picopad-v1.0.kicad_sch

Title: Picopad – open source gaming console

Size: A4 Date: 2023-06-01

KiCad E.D.A. eeschema 7.0.1-0

Rev: 1.1

Id: 1/1